

Marksman Classic Shooter Filler



The Marksman Classic is a compact, precision-built filling system engineered specifically for 50 ml “shooter” bottles, delivering speed, consistency, and accuracy with every shot. Powered by a precision peristaltic pump with digital volume control, the Marksman Classic hits its target with $\pm 2\%$ fill accuracy while running at speeds of up to 15 bottles per minute. Its durable stainless-steel construction, simple user interface, and digital cap torque control make operation smooth and reliable for a single operator. A rotary feed table and outlet collection table are included to keep bottles moving efficiently from start to finish. For a complete packaging line, the Marksman Classic pairs perfectly with the SmartShot15 labeling unit, creating a streamlined solution designed to keep your shooter production right on target. Designed for use with Norland-provided 50 ml plastic bottles and PCO caps.

High Accuracy

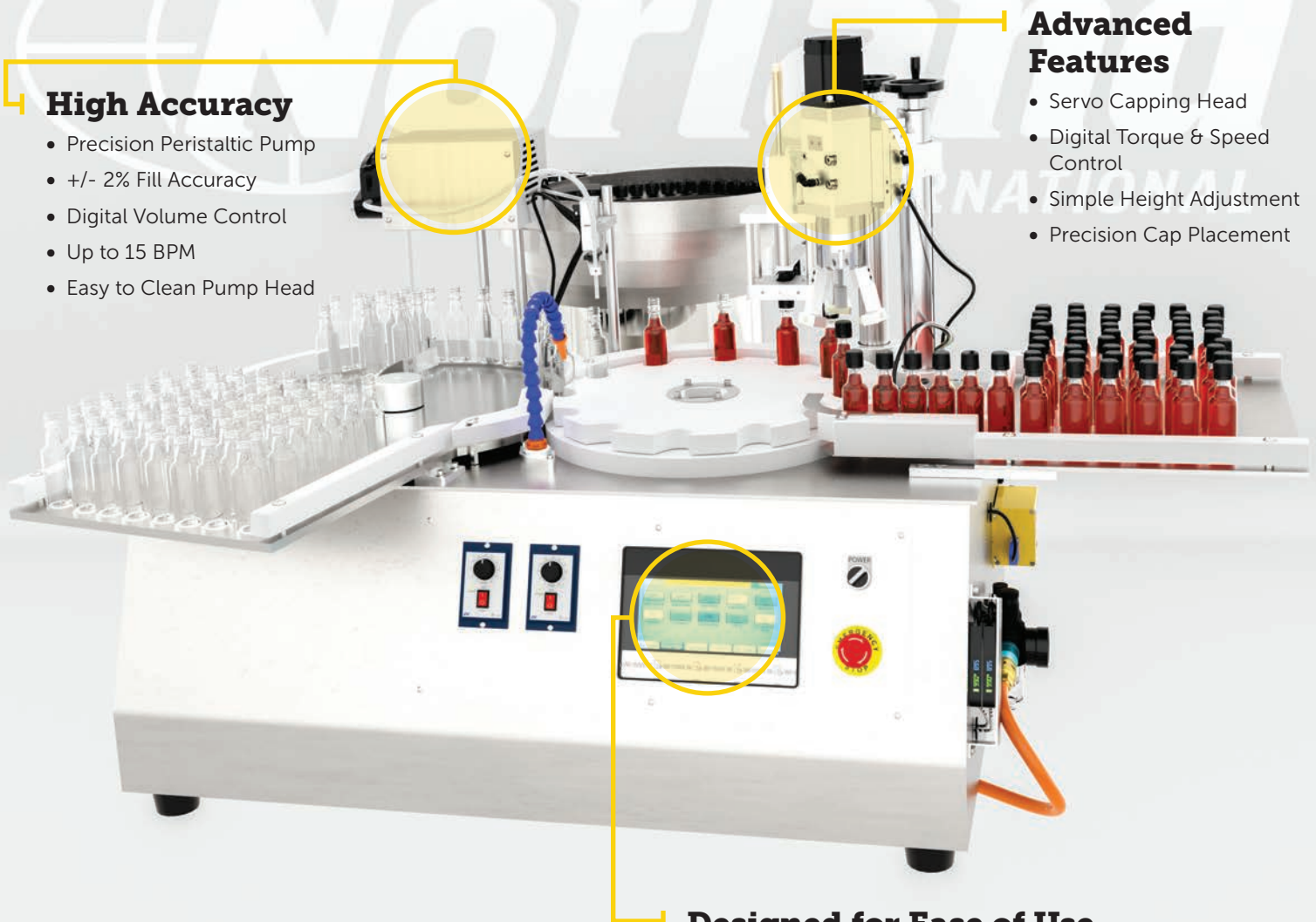
- Precision Peristaltic Pump
- +/- 2% Fill Accuracy
- Digital Volume Control
- Up to 15 BPM
- Easy to Clean Pump Head

Advanced Features

- Servo Capping Head
- Digital Torque & Speed Control
- Simple Height Adjustment
- Precision Cap Placement

Designed for Ease of Use

- Intuitive HMI interface
- Production Reporting
- Built-in CIP Process Control



Marksman Classic Shooter Filler

General Specifications

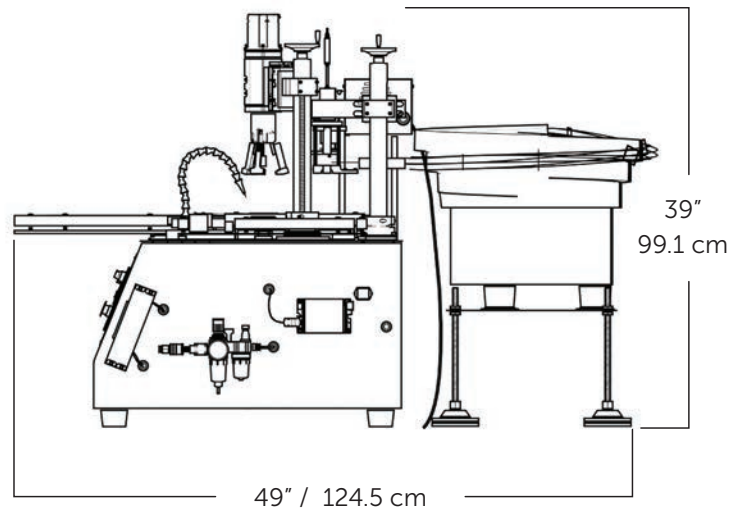
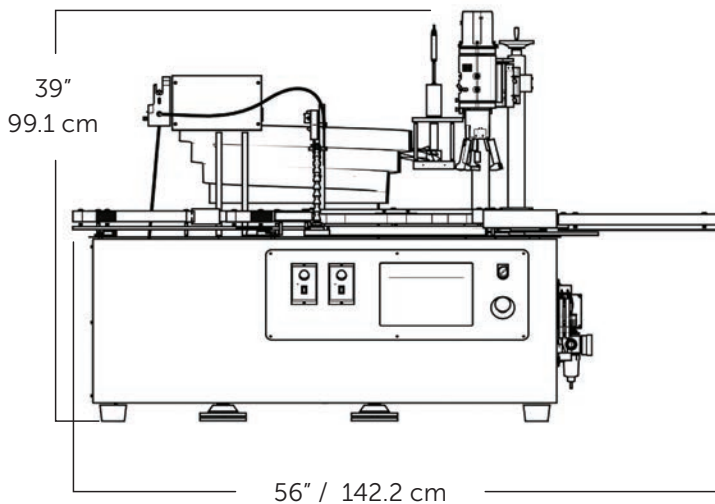
- Speed: Up to 15 BPM
- System dimensions: L: 56in W: 49 in H: 39 in
- Electrical requirements: 110/208/240 Volt, 50/60hz
- Stainless steel construction
- Vibratory Cap Sorter
- 2 CFM

Your Complete Package

Each Marksman Shooter Filler that leaves our facility first gets thoroughly tested and must pass our rigorous QA process. In addition to a comprehensive spare parts inventory, you'll receive superior customer support from our team in Lincoln, Nebraska with any Norland purchase.

Compatible Products

- SmartShot Labeler
- LabelMax35
- Optional Steel Table



Norland International reserves the right to change specification without notice. All specifications are approximate. ©2026 Norland International